

PLI3-PLATFORM PLI6-PLATFORM

DUPLEX and TRIPLEX mast

High free lift (GAL)

Powered motor and electronic control

AGILE
AND
STRONG

Fast+slow gear selector / Cold store -30°C



Roller to control the descending speed of the forks



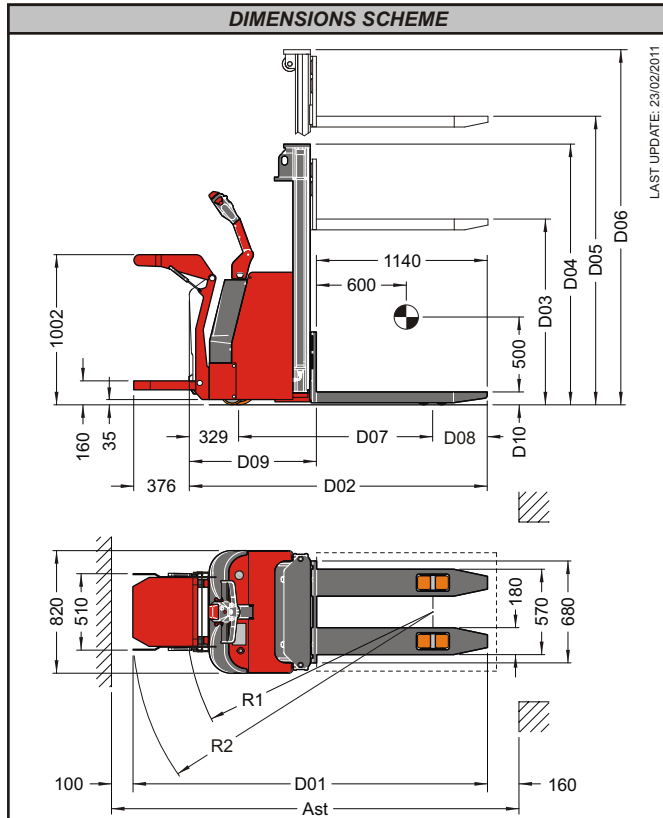
Pegasolift 

CE

PL13-PLATFORM and PL16-PLATFORM Series
user's platform version; also available in GAL version for lifting height above 3,2 m



Via del Lavoro 14 - 37047 San Bonifacio (Verona - Italy)
Tel. (0039) 045/7665570 - Fax: (0039) 045/7665698
www.pegasolift.com



NOTE: GAL version is an optional.

GENERAL SPECIFICATIONS		
MODEL	PL13 PLATFORM	PL16 PLATFORM
Load capacity	1300 kg	1600 kg
Axle load with load	front	2 / 7
	rear	5 / 7
Axle load without load	front	3 / 4
	rear	1 / 4
Lowered forks height	D10	86 88
Single front rollers size (polyurethane)		ø 80 × 70 ø 85 × 90
Drive wheel size (polyurethane)		ø 250 × 79
Additional wheel size (polyurethane)		ø 150 × 50
Front track		480
Rear track		560
Height of tiller in gear position (brake releasing)	min	1000
	max	1315
Travel speed	with load	8,0 km/h 8,0 km/h
	without load	9,0 km/h 9,0 km/h
Max gradeability	with load	8% 9%
	without load	16% 18%
Brake	Elettromagnetic	
Electronic control type	Mosfet 24V 200A	
Traction motor power (series excite system)	1200 W	1400 W
Pump motor power	3000W	
Noise	65 dB	
Battery box size (L × W × H)	220 × 808 × 565	

INTERCHANGEABLE MASTS SPECIFICATIONS

MAST NOMINATION	H = 1,6 m	H = 2,5 m	H = 2,9 m	H = 3,2 m	H = 3,6 m	H = 4,2 m	H = 4,5 m	H = 4,5 m	H = 5,0 m	H = 5,5 m	
Mast type	Simplex	Duplex	Duplex	Duplex	Duplex	Duplex	Duplex	Triplex	Triplex	Triplex	
GAL lifting height (optional)	D03	-	-	1600	1800	2100	2255	1635	1801	1967	
Mast lowered height	D04	1990	1745	1945	2095	2295	2595	2750	2130	2296	
Mast lifting height	D05	1600	2500	2900	3200	3600	4200	4500	4500	5000	
Mast extended height	D06	-	2950	3350	3650	4050	4650	4950	5070	5570	
Distance between axle	D07	1295							1345		
Front distance between axle	D08	379	364				331				
Length with forks shoulder	D09	863	848				865				
Total length	platform closed - D02	2003				1988				2005	
	platform opened - D01	2379				2364				2381	
Steering radius	platform closed - R1	1663				1649				1699	
	platform opened - R2	2039				2025				2075	
Working isle width (Ast)	platform closed	2263				2248				2265	
	platform opened	2639				2624				2641	
Weight (without battery)	PL13	545 kg	676 kg	697 kg	707 kg	734 kg	760 kg	787 kg	906 kg	936 kg	
	PL16	570 kg	701 kg	722 kg	732 kg	759 kg	786 kg	812 kg	931 kg	961 kg	
Lifting speed	with load	0,10 m/s	0,10 m/s	0,10 m/s	0,10 m/s	0,10 m/s	0,10 m/s	0,10 m/s	0,10 m/s	0,10 m/s	
	without load	0,12 m/s	0,12 m/s	0,12 m/s	0,12 m/s	0,12 m/s	0,12 m/s	0,12 m/s	0,12 m/s	0,12 m/s	
Lowering speed	with load	0,13 m/s	0,13 m/s	0,13 m/s	0,13 m/s	0,13 m/s	0,13 m/s	0,13 m/s	0,13 m/s	0,13 m/s	
	without load	0,09 m/s	0,09 m/s	0,09 m/s	0,09 m/s	0,09 m/s	0,09 m/s	0,09 m/s	0,09 m/s	0,09 m/s	
Forks size	W × H × L	180 × 70 × 1140									
PL13-PLATFORM SERIES - BATTERIES AVAILABLE AND RESIDUAL CAPACITY AT THE MAX LIFTING HEIGHT											
Traction battery 24V 270Ah (251 kg)	1300 kg	1300 kg	1190 kg	1065 kg	915 kg	670 kg	540 kg	955 kg	835 kg	705 kg.	
Traction battery 24V 315Ah (288 kg)	1300 kg	1300 kg	1220 kg	1100 kg	940 kg	690 kg	560 kg	970 kg	850 kg	725 kg.	
PL16-PLATFORM SERIES - BATTERIES AVAILABLE AND RESIDUAL CAPACITY AT THE MAX LIFTING HEIGHT											
Traction battery 24V 270Ah (251 kg)	1600 kg	1600 kg	1300 kg	1155 kg	1000 kg	730 kg	590 kg	1083 kg	950 kg	800 kg.	
Traction battery 24V 315Ah (288 kg)	1600 kg	1600 kg	1345 kg	1195 kg	1030 kg	750 kg	610 kg	1098 kg	965 kg	820 kg.	

The PL-PLATFORM series can be equipped with DUPLEX and TRIPLEX mast, also in High Free Lift version (GAL) and can be equipped with all the optional available as: trail-proof rubber wheel, pump for quick lifting of the forks, automatic speed reduction on cornering (always included), lateral door for quick battery change, switch to operate with the rudder in the upright position and cold store version -30°C.

PL-PLATFORM series is ideal for those who need to handle goods on long way where speed becomes time saving.