

PL20-PLATFORM

DUPLEX and TRIPLEX mast

High free lift (GAL)

Powered motor and electronic control

**AGILE
AND
STRONG**

Fast+slow gear selector / Cold store -30°C



**Roller to control the descending
speed of the forks**



Pegasolift



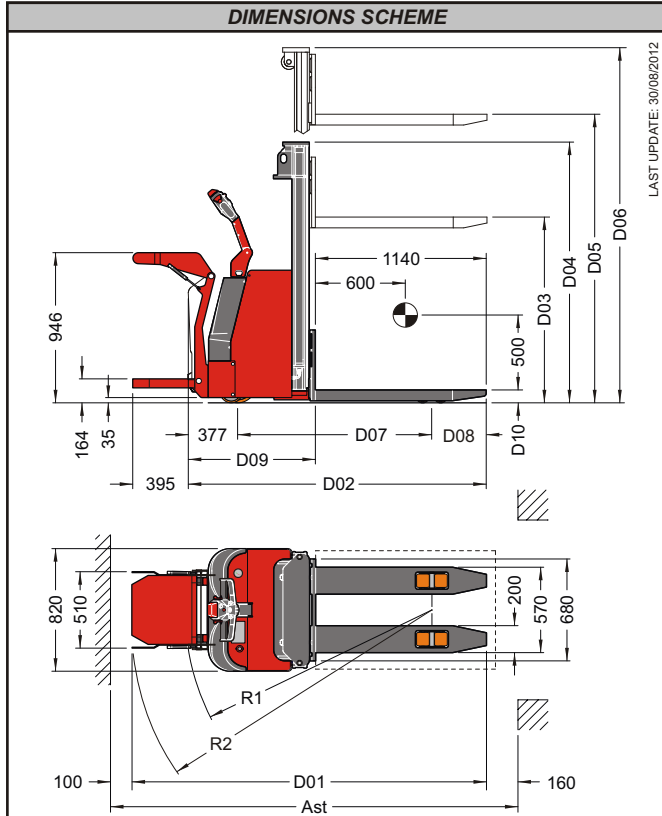
CE

PL20-PLATFORM

User's platform version; also available in GAL version for lifting height above 3,2 m

PegasoLift 

Via del Lavoro 14 - 37047 San Bonifacio (Verona - Italy)
Tel. (0039) 045/7665570 - Fax: (0039) 045/7665698
www.pegasolift.com



NOTE: GAL version is an optional.

GENERAL SPECIFICATIONS

MODEL	PL20 PLATFORM	
Load capacity	2000 kg	
Axle load with load	front	2 / 7
	rear	5 / 7
Axle load without load	front	3 / 4
	rear	1 / 4
Lowered forks height	D10	90
Single front rollers size (polyurethane)	ø 85 × 90	
Drive wheel size (polyurethane)	ø 230 × 75	
Additional wheel size (polyurethane)	ø 150 × 50	
Front track	480	
Rear track	560	
Height of tiller in gear position (brake releasing)	min	1000
	max	1315
Travel speed	with load	9,0 km/h
	without load	10,0 km/h
Max gradeability	with load	8%
	without load	16%
Brake	Elettromagnetic	
Electronic control type	Mosfet 24V 350A	
Traction motor power (series excite system)	2000 W	
Pump motor power	3000W	
Noise	65 dB	
Battery box size (L × W × H)	220 × 808 × 565	

INTERCHANGEABLE MASTS SPECIFICATIONS

MAST NOMINATION	H = 1,6 m	H = 2,5 m	H = 2,9 m	H = 3,2 m	H = 3,6 m	H = 4,2 m	H = 4,5 m	H = 4,5 m	H = 5,0 m	H = 5,5 m	
Mast type	Simplex	Duplex	Duplex	Duplex	Duplex	Duplex	Duplex	Triplex	Triplex	Triplex	
GAL lifting height (optional)	D03	-	-	1600	1800	2100	2255	1635	1801	1967	
Mast lowered height	D04	1990	1745	1945	2095	2295	2595	2750	2130	2296	
Mast lifting height	D05	1600	2500	2900	3200	3600	4200	4500	4500	5000	
Mast extended height	D06	-	2950	3350	3650	4050	4650	4950	5070	5570	
Distance between axle	D07				1374				1424		
Front distance between axle	D08				365				336		
Length with forks shoulder	D09				976				997		
Total length	platform closed - D02				2116				2137		
	platform opened - D01				2511				2532		
Steering radius	platform closed - R1				1776				1826		
	platform opened - R2				2152				2202		
Working isle width (Ast)	platform closed				2376				2397		
	platform opened				2771				2792		
Weight (without battery)	641 kg	815 kg	841 kg	861 kg	887 kg	936 kg	916 kg	1175 kg	1208 kg	1241 kg	
Lifting speed	with load	0,10 m/s	0,10 m/s	0,10 m/s	0,10 m/s	0,10 m/s	0,10 m/s	0,10 m/s	0,10 m/s	0,10 m/s	
	without load	0,12 m/s	0,12 m/s	0,12 m/s	0,12 m/s	0,12 m/s	0,12 m/s	0,12 m/s	0,12 m/s	0,12 m/s	
Lowering speed	with load	0,13 m/s	0,13 m/s	0,13 m/s	0,13 m/s	0,13 m/s	0,13 m/s	0,13 m/s	0,13 m/s	0,13 m/s	
	without load	0,09 m/s	0,09 m/s	0,09 m/s	0,09 m/s	0,09 m/s	0,09 m/s	0,09 m/s	0,09 m/s	0,09 m/s	
Forks size	W × H × L 180 × 70 × 1140										

PL20-PLATFORM SERIES - BATTERIES AVAILABLE AND RESIDUAL CAPACITY AT THE MAX LIFTING HEIGHT

Traction battery 24V 270Ah (251 kg)	2000 kg	2000 kg	1535 kg	1375 kg	1200 kg	915 kg	765 kg	1350 kg	1200 kg	1050 kg.
Traction battery 24V 315Ah (288 kg)	2000 kg	2000 kg	1570 kg	1410 kg	1235 kg	950 kg	795 kg	1365 kg	1215 kg	1070 kg.

The PL-PLATFORM series can be equipped with DUPLEX and TRIPLEX mast, also in High Free Lift version (GAL) and can be equipped with all the optional available as: trail-proof rubber wheel, pump for quick lifting of the forks, automatic speed reduction on cornering (always included), lateral door for quick battery change, switch to operate with the rudder in the upright position and cold store version -30°C.

PL-PLATFORM series is ideal for those who need to handle goods on long way where speed becomes time saving.