

W12-SLG



Tiller head with speed selector



Cold Store
Version -30 °C



**COMPACT
AND EASY**



Roller to control the descending
speed of the Forks



High frequency battery charger built-in
with battery charge indicator and block
of the Forks with Flat battery



Hours counter built-in

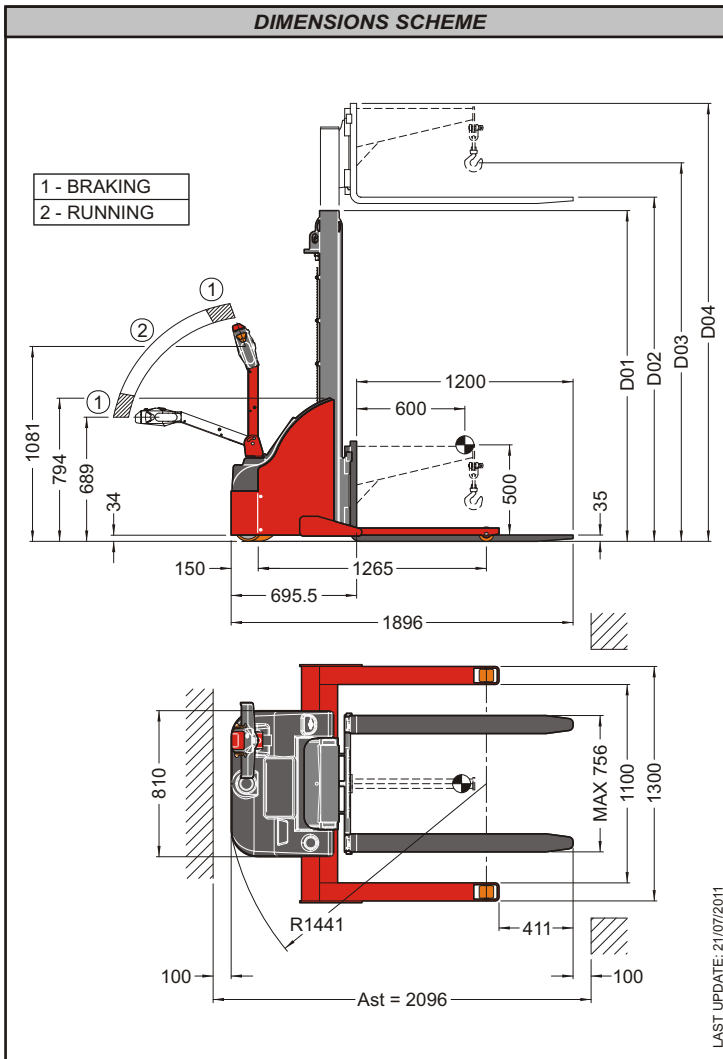


- Shelf for extensible plastic
Film roll
- Bottle rack
- Paper holder



Glove compartment complete of
closing door

Pegasolift  **CE**



BATTERIES		TOTAL WEIGHT
n° 2 Traction acid batteries	12V - 105 Ah/20h	53 kg
n° 2 GEL batteries	12V - 100 Ah/20h	58 kg

Model	W12/16-SLG	W12/24-SLG	W12/29-SLG	W12/36-SLG	W12/42-SLG	
Mast type	Simplex	Duplex	Duplex	Duplex	Duplex	
Load capacity till the height of 2,0 metres	1200 kg					
Forks lifting height	D02	1555	2355	2855	3555	4155
Hook lifting height (optional)	D03	1750	2550	3050	3750	4350
Mast lowered height	D01	1905	1585	1835	2185	2485
Mast extended height	D04	1970	2875	3375	4075	4675
Weight with lead batteries	515 kg	565 kg	582 kg	613 kg	640 kg	
Travel speed (with / without load)	4,2 - 5,1 km/h					
Lifting speed (with / without load)	0,072 - 0,11 m/s					
Lowering speed (with / without load)	0,38 - 0,11 m/s					
Max gradeability (with / without load)	5% / 10%					
Wheels	2 (front) / 2 (rear)					
Front polyurethane rollers size	Ø 80 × 70					
Rear polyurethane wheels size	Traction Ø 245 × 76 - stabilizer Ø 150 × 40					
Brake	Electromagnetic with energy recycling					
Traction permanent magnets motor power	700 W					
Pump motor power	2.200 W					
Electronic control type	Mosfet 24V 110A					
Battery charger built in	High frequency electronic 24V 10A					
Residual capacity at the max lifting height	1200 kg	950 kg	850 kg	700 kg	450 kg	

The W12 stackers series are designed to be the most compact, handy and easy to use for every user. The mast is extremely compact in height to allow to pass also under very low doors and the narrow steering radius permit to move with agility in all the narrow spaces. The lateral tiller and the compactness of the machine body also in width and in height allow a large visibility and handy in all the manoeuvres. A stacker with a modern and nice design, provide with a comfortable shelf where is allow to place the extensible plastic film for packing. A modern and safety stacker, equipped with the automatic speed reduction with the lifted load, with the valve for lowering the forks in case of failure and with the safety blockage when the stacker is connected to the main supply to charge the batteries.