

PLI3-SLG

PLI6-SLG

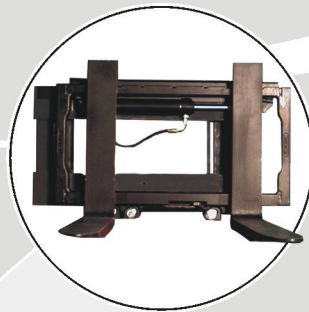
**DUPLEX and TRIPLEX mast
High free lift (GAL)**

Fast/slow gear selector - Cold store -30°C



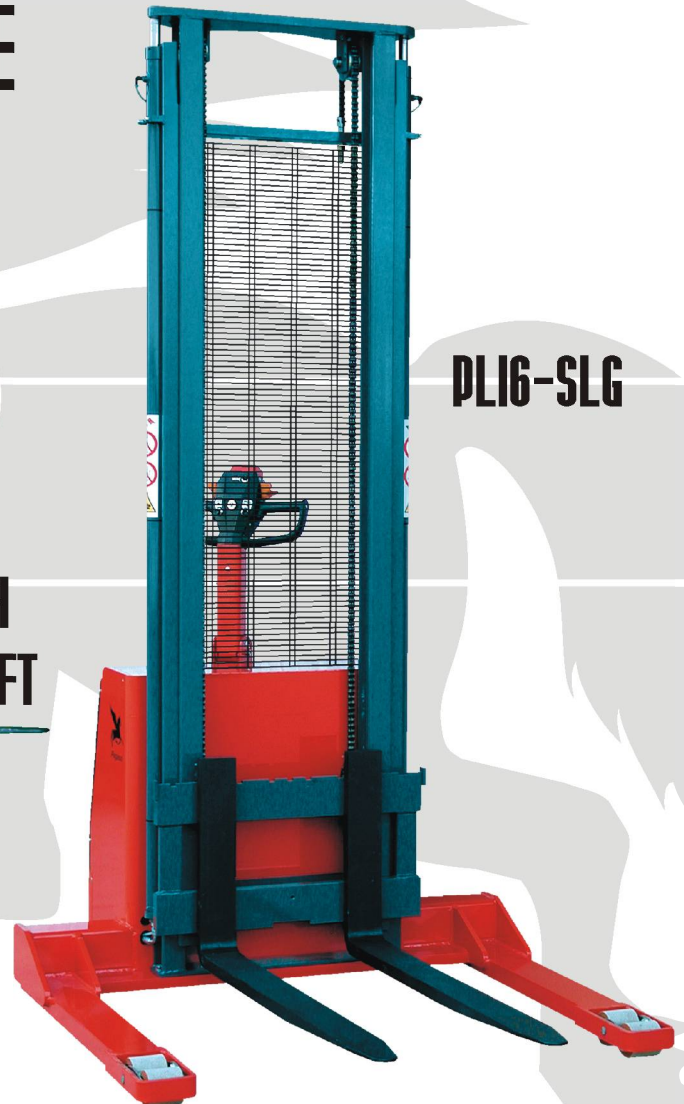
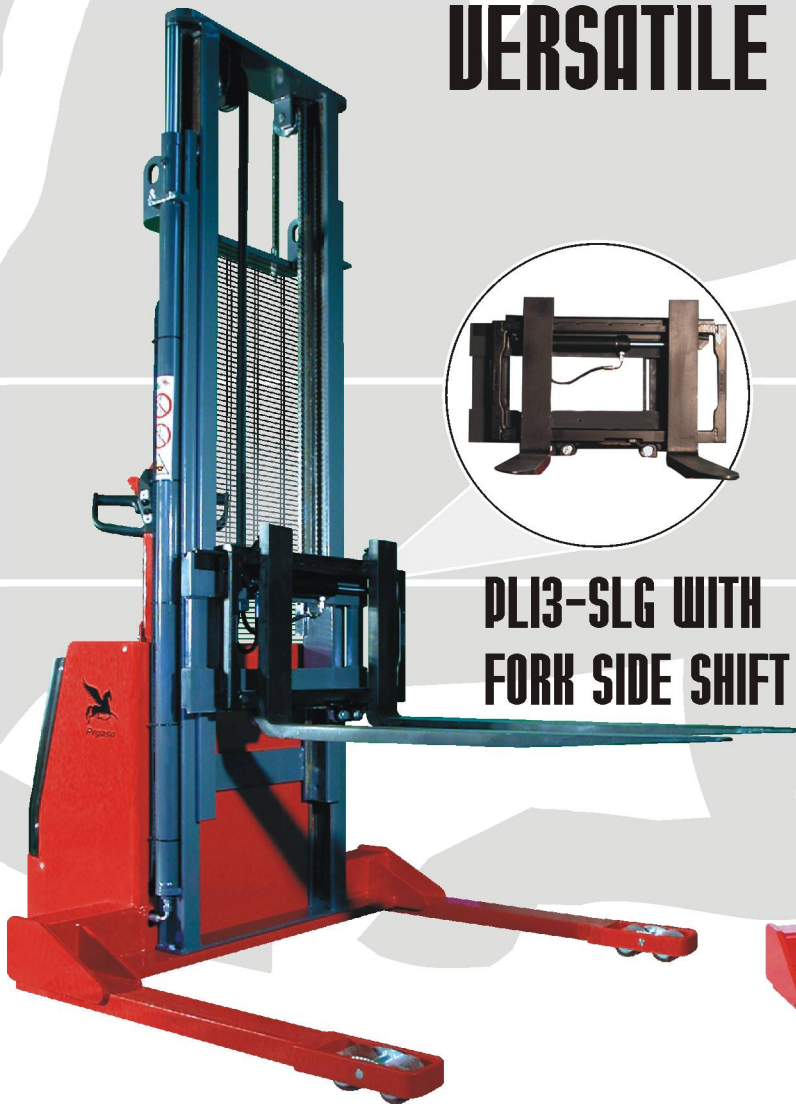
**roller to control the descending
speed of the forks**

VERSATILE



**PLI3-SLG WITH
FORK SIDE SHIFT**

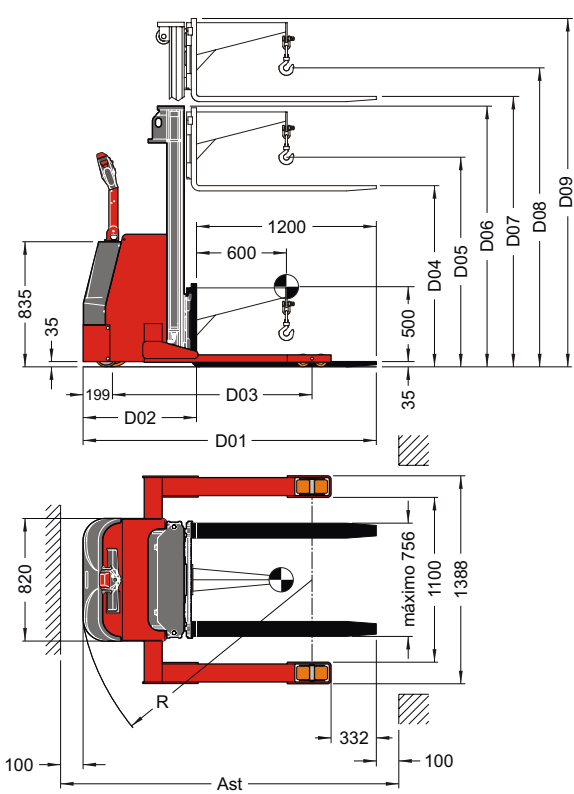
PLI6-SLG



Pegasolift 

CE

DIMENSIONS SCHEME



LAST UPDATE: 16/09/2010

PL13-SLG and PL16-SLG Series

also available in SLG-GAL version for lifting height above 3,2 metres



Via del Lavoro 14 - 37047 San Bonifacio (Verona - Italy)
Tel. (0039) 045/7665570 - Fax: (0039) 045/7665698
www.pegasolift.com

GENERAL SPECIFICATIONS

MODEL	PL13	PL16
Load capacity	1300 kg	1600 kg
Axle load with load	front 2 / 7 rear 5 / 7	
Axle load without load	front 3 / 4 rear 1 / 4	
Single front rollers size (polyurethane)	ø 80 × 70	ø 85 × 90
Drive wheel size (polyurethane)	ø 250 × 79	
Additional wheel size (polyurethane)	ø 150 × 50	
Front track	1315	
Rear track	560	
Height of tiller in gear position (brake releasing)	min 935 max 1307	
Travel speed	with load 5,5 km/h without load 6,0 km/h	5,5 km/h 6,0 km/h
Max gradeability	with load 8% without load 16%	9% 18%
Brake	Elettromagnetic	
Electronic control type	Mosfet 24V 200A	
Traction motor power (series excite system)	1200 W	1400 W
Pump motor power	3000W	
Noise	65 dB	
Battery box size (L × W × H)	220 × 808 × 565	

NOTE: the TRIPLEX masts can be equipped only with battery 24V 270Ah; the removable arm with lifting hook and GAL version are optional.

INTERCHANGEABLE MASTS SPECIFICATIONS

MAST NOMINATION		H = 1,6 m	H = 2,5 m	H = 2,9 m	H = 3,2 m	H = 3,6 m	H = 4,2 m	H = 4,5 m	H = 4,5 m	H = 5,0 m	H = 5,5 m
Mast type		Simplex	Duplex	Duplex	Duplex	Duplex	Duplex	Duplex	Triplex	Triplex	Triplex
GAL forks lifting height (optional)	D04	-	-	-	1545	1745	2045	2200	1580	1746	1912
GAL hook lifting height (optional)	D05	-	-	-	1735	1935	2235	2390	1770	1936	2102
Mast lowered height	D06	1990	1745	1945	2095	2295	2595	2750	2130	2296	2462
Forks lifting height	D07	1565	2465	2865	3165	3565	4165	4465	4465	4965	5465
Hook lifting height	D08	1750	2650	3050	3350	3750	4350	4650	4650	5150	5650
Mast extended height	D09	-	2950	3350	3650	4050	4650	4950	5070	5570	6070
Distance between axle	D03	1293								1343	
Length with forks shoulder	D02	766				751				768	
Total length	D01	1966				1951				1968	
Steering radius	R	1537				1552				1602	
Working isle width		2166				2151				2168	
Weight (without battery)	PL13	553 kg	684 kg	705 kg	715 kg	742 kg	768 kg	795 kg	904 kg	944 kg	964 kg
	PL16	578 kg	709 kg	730 kg	740 kg	767 kg	794 kg	820 kg	939 kg	969 kg	999 kg
Lifting speed	with load	0,10 m/s	0,10 m/s	0,10 m/s	0,10 m/s	0,10 m/s	0,10 m/s	0,10 m/s	0,10 m/s	0,10 m/s	0,10 m/s
	without load	0,12 m/s	0,12 m/s	0,12 m/s	0,12 m/s	0,12 m/s	0,12 m/s	0,12 m/s	0,12 m/s	0,12 m/s	0,12 m/s
Lowering speed	with load	0,13 m/s	0,13 m/s	0,13 m/s	0,13 m/s	0,13 m/s	0,13 m/s	0,13 m/s	0,13 m/s	0,13 m/s	0,13 m/s
	without load	0,09 m/s	0,09 m/s	0,09 m/s	0,09 m/s	0,09 m/s	0,09 m/s	0,09 m/s	0,09 m/s	0,09 m/s	0,09 m/s
Forks size	W × H × L	100 × 35 × 1200									

PL13 SERIES - BATTERIES AVAILABLE AND RESIDUAL CAPACITY AT THE MAX LIFTING HEIGHT

Traction battery 24V 160Ah (167 kg)	1300 kg	1300 kg	1050 kg	920 kg	790 kg	575 kg	460 kg	N.D.	N.D.	N.D.
Traction battery 24V 180Ah (188 kg)	1300 kg	1300 kg	1110 kg	975 kg	830 kg	605 kg	490 kg	N.D.	N.D.	N.D.
Traction battery 24V 240Ah (219 kg)	1300 kg	1300 kg	1155 kg	1030 kg	880 kg	640 kg	520 kg	N.D.	N.D.	N.D.
Traction battery 24V 270Ah (251 kg)	1300 kg	1300 kg	1190 kg	1065 kg	915 kg	670 kg	540 kg	955 kg	835 kg	705 kg.
Traction battery 24V 315Ah (288 kg)	1300 kg	1300 kg	1220 kg	1100 kg	940 kg	690 kg	560 kg	970 kg	850 kg	725 kg.

PL16 SERIES - BATTERIES AVAILABLE AND RESIDUAL CAPACITY AT THE MAX LIFTING HEIGHT

Traction battery 24V 160Ah (167 kg)	1600 kg	1600 kg	1140 kg	1010 kg	870 kg	640 kg	515 kg	N.D.	N.D.	N.D.
Traction battery 24V 180Ah (188 kg)	1600 kg	1600 kg	1210 kg	1065 kg	915 kg	675 kg	535 kg	N.D.	N.D.	N.D.
Traction battery 24V 240Ah (219 kg)	1600 kg	1600 kg	1250 kg	1110 kg	960 kg	705 kg	570 kg	N.D.	N.D.	N.D.
Traction battery 24V 270Ah (251 kg)	1600 kg	1600 kg	1300 kg	1155 kg	1000 kg	730 kg	590 kg	1083 kg	950 kg	800 kg.
Traction battery 24V 315Ah (288 kg)	1600 kg	1600 kg	1345 kg	1195 kg	1030 kg	750 kg	610 kg	1098 kg	965 kg	820 kg.

The PL-SLG series permit the handling of any type of pallet, also non-standard size. Besides is possible to personalize the pallet stacker to handle any type of goods, thanks to the FEM-II plate on which can be equipped, besides the forged forked, the removable arm complete of lifting hook or the equipment to handle the drums. Also available the side shift version which makes the utilization of the pallet stacker extremely simple also for the occasional user and sensible reduces the manoeuvres times in limited spaces or where is needed an neat positioning of the load. Optional: trail-proof rubber wheel, lateral door for quick battery change, pump for quick lifting of the forks, cold store version -30°C and battery charge indicator with LCD hours counter and block of the forks with flat battery.