



Doosan Infracore
Forklifts

TECHNICAL SPECIFICATIONS

Pneumatic Forklift Trucks

D50S / D60S / D70S-5

G50S / G60S / G70S-5

5,000kg to 7,000kg Capacity

PRO5
SERIES



5,000/6,000/7,000kg Capacities

Engine Powered Forklift Trucks

Pneumatic Tire

MAIN VEHICLE SPECIFICATIONS

| | | | | | | | |
|-------------------------------|---|--------------------------------|-------------------------------|-------------|----------------|----------------|----------------|
| CHARACTERISTICS | 1 | Manufacture | | | DOOSAN | DOOSAN | DOOSAN |
| | 2 | Model | | | D50S-5 | D60S-5 | D70S-5 |
| | 3 | Load Capacity | at rated load center | kg | 5,000 | 6,000 | 7,000 |
| | 4 | Load Center | | mm | 600 | 600 | 600 |
| | 5 | Power type | Elec, Diesel, LPG, Gasoline | | Diesel | Diesel | Diesel |
| | 6 | Operator type | | | Driver-seated | Driver-seated | Driver-seated |
| | 7 | Tire type | P:Pnu, E:Solid Soft, C: Cush | | p | p | p |
| | 8 | Wheels (x=Driven) | Front / Rear | | x 4 / 2 | x 4 / 2 | x 4 / 2 |
| DIMENSIONS | 9 | Max. Fork Height | with STD 2-stage mast | mm | 3,000 | 3,000 | 3,000 |
| | 10 | Free Lift | | mm | 205 | 205 | 205 |
| | 12 | Fork Carriage | ISO Class | | IV | IV | IV |
| | 13 | Forks | Length x Width x Thickness | mm | 1,200x150x60 | 1,200x180x60 | 1,200x180x60 |
| | | | Fork Spacing(Min x Max) | mm | 350x2,032 | 410x2,032 | 410x2,032 |
| | 14 | Tilt of Mast | Forward / Backward | deg | 15 / 10 | 15 / 10 | 15 / 10 |
| | 15 | Overall Dimensions | Length to Fork Face | mm | 3,507 | 3,568 | 3,647 |
| | | | Overall Width | mm | 2,108 | 2,108 | 2,108 |
| | | | Mast Lowered Height | mm | 2,500 | 2,500 | 2,500 |
| | | | Mast Extended Height | mm | 4,340 | 4,340 | 4,340 |
| | | | Overhead Guard Height | mm | 2,455 | 2,455 | 2,455 |
| | 18 | Seat Height | | mm | 1,333 | 1,333 | 1,333 |
| | 19 | | | mm | 1,333 | 1,333 | 1,333 |
| 21 | Turning Radius | Minimum outside | mm | 3,301 | 3,331 | 3,380 | |
| 22 | Load Moment Center | | mm | 632 | 632 | 632 | |
| 23 | Aisle 90 degree stacking(add load length & clearance) | | mm | 3,924 | 3,958 | 4,000 | |
| PERFORMANCE | 24 | Travel Speed | Loaded / Unloaded | km/h | 29.6 / 32.4 | 29.1 / 32.2 | 28.5 / 32.0 |
| | 25 | Lifting Speed | Loaded / Unloaded | mm/s | 500 / 530 | 490 / 530 | 445 / 470 |
| | 26 | Lowering Speed | Loaded / Unloaded | mm/s | 501 / 450 | 501 / 450 | 499 / 450 |
| | 28 | Max. drawbar pull | Loaded at 1.0 mph (1.6km / h) | kg | 5,990 | 5,945 | 5,915 |
| | 30 | Max. gradeability | Loaded at 1.0 mph (1.7km / h) | % | 49.2 | 42.4 | 37.2 |
| WEIGHT | 32 | Total Service Weight, Unloaded | | kg | 8,570 | 9,240 | 9,970 |
| | 33 | Axle Load | Loaded, Front / Rear | kg | 12,175 / 1,395 | 13,585 / 1,655 | 14,980 / 1,990 |
| | | | Unloaded, Front / Rear | kg | 4,435 / 4,135 | 4,300 / 4,940 | 4,150 / 5,820 |
| | 34 | | | | | | |
| CHASSIS | 35 | | Number of wheels(F / R) | | 4 / 2 | 4 / 2 | 4 / 2 |
| | 36 | Tires | Size, Front | | 8.25x15-14PR | 8.25x15-14PR | 8.25x15-14PR |
| | | | Size, Rear | | 8.25x15-14PR | 8.25x15-14PR | 8.25x15-14PR |
| | 37 | | | | | | |
| | 38 | Wheel Base | Distance | mm | 2,250 | 2,250 | 2,250 |
| | 39 | Tread Width | Front / Rear | mm | 1,584 / 1,550 | 1,584 / 1,550 | 1,584 / 1,550 |
| | 40 | Ground Clearance | Loaded at the lowest point | mm | 176 | 176 | 176 |
| Loaded at center of wheelbase | | | mm | 205 | 205 | 205 | |
| 41 | | | | | | | |
| 42 | Brakes | Service | | Foot / Hyd | Foot / Hyd | Foot / Hyd | |
| | | Parking | | Hand / Mech | Hand / Mech | Hand / Mech | |
| 43 | | | | | | | |
| POWER TRAIN | 45 | Battery | Voltage / Ampere | V/AH | 24 / 75 | 24 / 75 | 24 / 75 |
| | 49 | Engine | Model | | DB58S | DB58S | DB58S |
| | | | Rated Power(DIN) | HP/rpm | 99 / 2,200 | 99 / 2,200 | 99 / 2,200 |
| | | | | kW/rpm | 74 / 2,200 | 74 / 2,200 | 74 / 2,200 |
| | | | Maximum Torque | kgm/rpm | 37 / 1,600 | 37 / 1,600 | 37 / 1,600 |
| | Cylinders / Displacements | CC | 6 / 5,785 | 6 / 5,785 | 6 / 5,785 | | |
| | 55 | Transmission | Type | | Autoshift | Autoshift | Autoshift |
| Number of Speed (Fwd / Rev) | | | | 3 / 3 | 3 / 3 | 3 / 3 | |
| 57 | Hydraulic Pressure | System | bar | 210 | 210 | 210 | |
| | | Attachment | bar | 140 | 140 | 140 | |

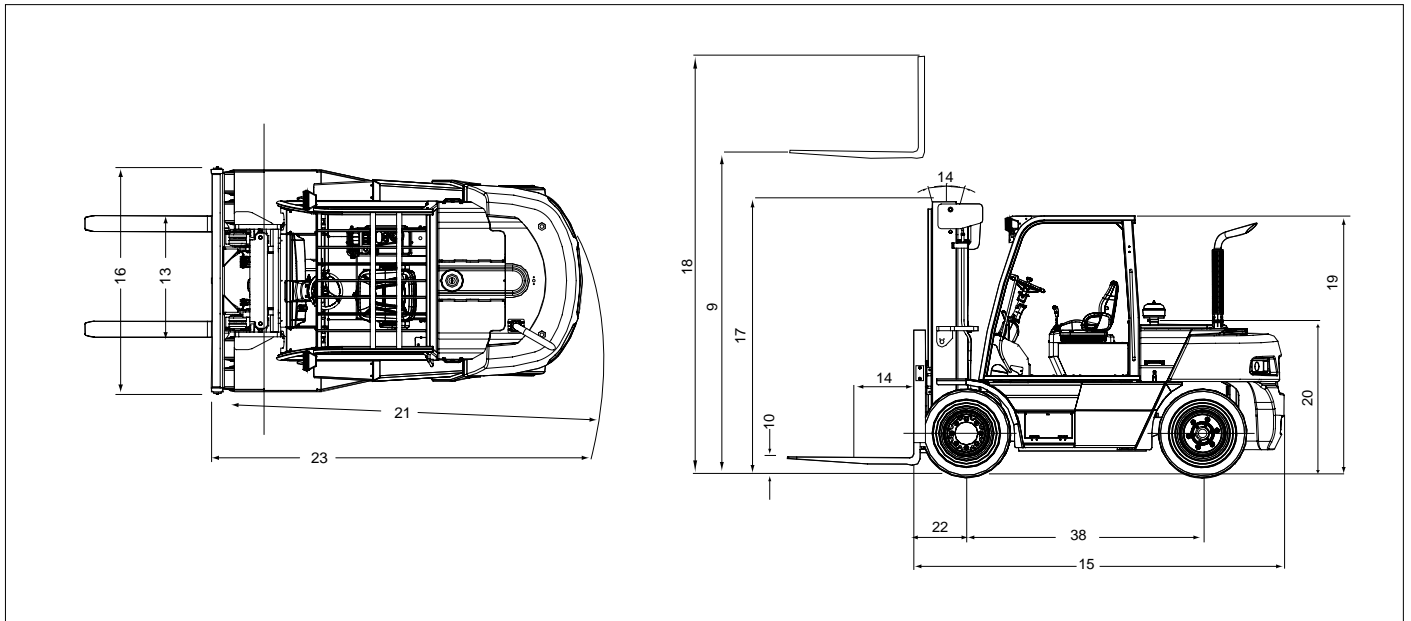
Note: Specification values quoted in this specification sheet has been rounded. Performance may vary due to operation conditions.
Products and specifications are subject to improvement and change without prior notices.

5,000/6,000/7,000kg Capacities

Engine Powered Forklift Trucks
Pneumatic Tire

| | | | | | |
|----------------|----------------|----------------|----------------|----------------|----------------|
| DOOSAN | DOOSAN | DOOSAN | DOOSAN | DOOSAN | DOOSAN |
| D50S-5 | D60S-5 | D70S-5 | G50S-5 | G60S-5 | G70S-5 |
| 5,000 | 6,000 | 7,000 | 5,000 | 6,000 | 7,000 |
| 600 | 600 | 600 | 600 | 600 | 600 |
| Diesel | Diesel | Diesel | LPG | LPG | LPG |
| Driver-seated | Driver-seated | Driver-seated | Driver-seated | Driver-seated | Driver-seated |
| p | p | p | p | p | p |
| x 4 / 2 | x 4 / 2 | x 4 / 2 | x 4 / 2 | x 4 / 2 | x 4 / 2 |
| 3,000 | 3,000 | 3,000 | 3,000 | 3,000 | 3,000 |
| 205 | 205 | 205 | 205 | 205 | 205 |
| IV | IV | IV | IV | IV | IV |
| 1,200x150x60 | 1,200x180x60 | 1,200x180x60 | 1,200x150x60 | 1,200x180x60 | 1,200x180x60 |
| 350x2,032 | 410x2,032 | 410x2,032 | 350x2,032 | 410x2,032 | 410x2,032 |
| 15 / 10 | 15 / 10 | 15 / 10 | 15 / 10 | 15 / 10 | 15 / 10 |
| 3,507 | 3,568 | 3,647 | 3,507 | 3,568 | 3,647 |
| 2,108 | 2,108 | 2,108 | 2,108 | 2,108 | 2,108 |
| 2,500 | 2,500 | 2,500 | 2,500 | 2,500 | 2,500 |
| 4,340 | 4,340 | 4,340 | 4,340 | 4,340 | 4,340 |
| 2,455 | 2,455 | 2,455 | 2,455 | 2,455 | 2,455 |
| 1,333 | 1,333 | 1,333 | 1,333 | 1,333 | 1,333 |
| 3,301 | 3,331 | 3,380 | 3,301 | 3,331 | 3,380 |
| 632 | 632 | 632 | 632 | 632 | 632 |
| 3,924 | 3,958 | 4,000 | 3,924 | 3,958 | 4,000 |
| 25 / 26.5 | 24.5 / 26.5 | 24.0 / 26.5 | 24.0 / 25.4 | 23.8 / 25.4 | 23.6 / 25.4 |
| 415 / 445 | 415 / 445 | 415 / 445 | 380 / 410 | 380 / 410 | 380 / 410 |
| 490 / 460 | 490 / 460 | 490 / 460 | 490 / 460 | 490 / 460 | 490 / 460 |
| 4,908 | 4,875 | 4,875 | 5,010 | 4,990 | 4,965 |
| 39.4 | 34.1 | 30.3 | 40.9 | 35.5 | 31.3 |
| 8,395 | 9,085 | 9,810 | 8,235 | 8,905 | 9,635 |
| 12,010 / 1,385 | 13,430 / 1,655 | 14,820 / 1,990 | 11,840 / 1,395 | 13,260 / 1,645 | 14,650 / 1,985 |
| 4,270 / 4,125 | 4,145 / 4,940 | 3,985 / 5,830 | 4,100 / 4,135 | 3,975 / 4,930 | 3,815 / 5,820 |
| 4 / 2 | 4 / 2 | 4 / 2 | 4 / 2 | 4 / 2 | 4 / 2 |
| 8.25x15-14PR | 8.25x15-14PR | 8.25x15-14PR | 8.25x15-14PR | 8.25x15-14PR | 8.25x15-14PR |
| 8.25x15-14PR | 8.25x15-14PR | 8.25x15-14PR | 8.25x15-14PR | 8.25x15-14PR | 8.25x15-14PR |
| 2,250 | 2,250 | 2,250 | 2,250 | 2,250 | 2,250 |
| 1,584 / 1,550 | 1,584 / 1,550 | 1,584 / 1,550 | 1,584 / 1,550 | 1,584 / 1,550 | 1,584 / 1,550 |
| 176 | 176 | 176 | 176 | 176 | 176 |
| 205 | 205 | 205 | 205 | 205 | 205 |
| Foot / Hyd | Foot / Hyd | Foot / Hyd | Foot / Hyd | Foot / Hyd | Foot / Hyd |
| Hand / Mech | Hand / Mech | Hand / Mech | Hand / Mech | Hand / Mech | Hand / Mech |
| 24 / 75 | 24 / 75 | 24 / 75 | 12 / 75 | 12 / 75 | 12 / 75 |
| DB58S | DB58S | DB58S | G643(E) | G643(E) | G643(E) |
| 93 / 2,400 | 93 / 2,400 | 93 / 2,400 | 93 / 2,450 | 93 / 2,450 | 93 / 2,450 |
| 69 / 2,400 | 69 / 2,400 | 69 / 2,400 | 69 / 2,450 | 69 / 2,450 | 69 / 2,450 |
| 33 / 1,600 | 33 / 1,600 | 33 / 1,600 | 31 / 1,400 | 31 / 1,400 | 31 / 1,400 |
| 6 / 5,785 | 6 / 5,785 | 6 / 5,785 | 6 / 4,294 | 6 / 4,294 | 6 / 4,294 |
| Power Shift | Power Shift | Power Shift | Power Shift | Power Shift | Power Shift |
| 2 / 2 | 2 / 2 | 2 / 2 | 2 / 2 | 2 / 2 | 2 / 2 |
| 210 | 210 | 210 | 210 | 210 | 210 |
| 140 | 140 | 140 | 140 | 140 | 140 |

DIMENSIONAL DRAWING



MAST SPECIFICATIONS and RATED CAPACITIES

D/G50S-5(Shaft)

| Mast type | Maximum Fork Height | Maximum Lowered Height | Fully Extended Height | Free Lift | Rated Load Capacities | | |
|-----------|---------------------|------------------------|-----------------------|--------------------|-----------------------|----------|------------------|
| | | | | | D/G50S-5(Shaft) | | |
| | | | With Load Backrest | With Load Backrest | Tilt Angle | | Load Capacities |
| | | | | | Double Pneumatic | | Double Pneumatic |
| | | | | FWD | BWD | LC 600mm | |
| | mm | mm | mm | mm | deg | deg | kg |
| STD | 3000 | 2495 | 4275 | 205 | 15 | 10 | 5000 |
| | 3500 | 2745 | 4775 | 205 | 15 | 10 | 5000 |
| | 3700 | 2845 | 4975 | 205 | 15 | 10 | 5000 |
| | 4000 | 2995 | 5275 | 205 | 15 | 10 | 5000 |
| | 4500 | 3345 | 5775 | 205 | 15 | 10 | 5000 |
| | 5000 | 3595 | 6275 | 205 | 15 | 10 | 5000 |
| | 5500 | 3845 | 6775 | 205 | 15 | 10 | 4900 |
| | 6000 | 4095 | 7275 | 205 | 15 | 10 | 4725 |
| FFT | 4550 | 2540 | 5570 | 1580 | 15 | 10 | 4900 |
| | 5000 | 2690 | 6020 | 1730 | 15 | 10 | 4750 |
| | 5600 | 2890 | 6620 | 1930 | 15 | 10 | 4550 |
| | 6050 | 3040 | 7070 | 2080 | 15 | 10 | 4400 |

D/G60S-5(Shaft)

| Mast type | Maximum Fork Height | Maximum Lowered Height | Fully Extended Height | Free Lift | Rated Load Capacities | | |
|-----------|---------------------|------------------------|-----------------------|--------------------|-----------------------|----|------------------|
| | | | With Load Backrest | With Load Backrest | D/G60S-5(Shaft) | | |
| | | | | | Tilt Angle | | Load Capacities |
| | | | | | Double Pneumatic | | Double Pneumatic |
| mm | mm | mm | mm | deg | deg | kg | |
| STD | 3000 | 2495 | 4275 | 205 | 15 | 10 | 6000 |
| | 3500 | 2745 | 4775 | 205 | 15 | 10 | 6000 |
| | 3700 | 2845 | 4975 | 205 | 15 | 10 | 6000 |
| | 4000 | 2995 | 5275 | 205 | 15 | 10 | 6000 |
| | 4500 | 3345 | 5775 | 205 | 15 | 10 | 6000 |
| | 5000 | 3595 | 6275 | 205 | 15 | 10 | 6000 |
| | 5500 | 3845 | 6775 | 205 | 15 | 10 | 5875 |
| | 6000 | 4095 | 7275 | 205 | 15 | 10 | 5675 |
| FFT | 4550 | 2540 | 5570 | 1580 | 15 | 10 | 5900 |
| | 5000 | 2690 | 6020 | 1730 | 15 | 10 | 5725 |
| | 5600 | 2890 | 6620 | 1930 | 15 | 10 | 5500 |
| | 6050 | 3040 | 7070 | 2080 | 15 | 10 | 5300 |

D/G70S-5(Shaft)

| Mast type | Maximum Fork Height | Maximum Lowered Height | Fully Extended Height | Free Lift | Rated Load Capacities | | |
|-----------|---------------------|------------------------|-----------------------|--------------------|-----------------------|----|------------------|
| | | | With Load Backrest | With Load Backrest | D/G70S-5(Shaft) | | |
| | | | | | Tilt Angle | | Load Capacities |
| | | | | | Double Pneumatic | | Double Pneumatic |
| mm | mm | mm | mm | deg | deg | kg | |
| STD | 3000 | 2495 | 4275 | 205 | 15 | 10 | 7000 |
| | 3500 | 2745 | 4775 | 205 | 15 | 10 | 7000 |
| | 3700 | 2845 | 4975 | 205 | 15 | 10 | 7000 |
| | 4000 | 2995 | 5275 | 205 | 15 | 10 | 7000 |
| | 4500 | 3345 | 5775 | 205 | 15 | 10 | 7000 |
| | 5000 | 3595 | 6275 | 205 | 15 | 10 | 7000 |
| | 5500 | 3845 | 6775 | 205 | 15 | 10 | 7000 |
| | 6000 | 4095 | 7275 | 205 | 15 | 10 | 6900 |
| | 3000 | 2495 | 4275 | 205 | 15 | 10 | 7000 |
| | 3500 | 2745 | 4775 | 205 | 15 | 10 | 7000 |
| | 3700 | 2845 | 4975 | 205 | 15 | 10 | 7000 |
| | 4000 | 2995 | 5275 | 205 | 15 | 10 | 7000 |
| | 4500 | 3345 | 5775 | 205 | 15 | 10 | 7000 |
| | 5000 | 3595 | 6275 | 205 | 15 | 10 | 7000 |
| | 5500 | 3845 | 6775 | 205 | 15 | 10 | 7000 |
| | 6000 | 4095 | 7275 | 205 | 15 | 10 | 6900 |
| FFT | 4550 | 2540 | 5570 | 1580 | 15 | 10 | 7000 |
| | 5000 | 2690 | 6020 | 1730 | 15 | 10 | 7000 |
| | 5600 | 2890 | 6620 | 1930 | 15 | 10 | 6725 |
| | 6050 | 3040 | 7070 | 2080 | 15 | 10 | 6500 |



PRO5 SERIES



G50S / G60S / G70S-5
5,000kg 6,000kg 7,000kg
Pneumatic Tire



D50S / D60S / D70S-5
5,000kg 6,000kg 7,000kg
Pneumatic Tire

PSC0703B1 (Mar.2007)



Doosan Infracore Forklifts

Head Office : 7-11, Hwasu-Dong, Dong-Gu, Incheon, Korea.
Tel : 82-32-211-5011 Fax : 82-32-211-5412
Seoul Office : 22nd floor, Doosan Tower Bldg, Euljiro 6-Ga
Jung-Gu, Seoul, Korea.
Tel : 82-2-3398-8633 Fax : 82-2-3398-8619
Web site : <http://iv.doosaninfracore.co.kr/eng>

AUTHORIZED DEALER

Product and specifications are subject to improvement and change without notice.