

# Technical Specifications

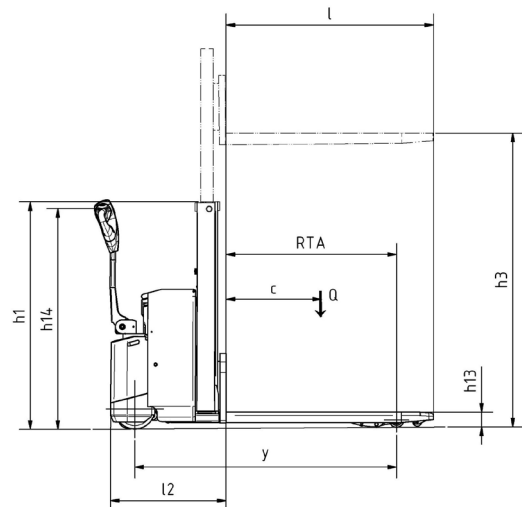
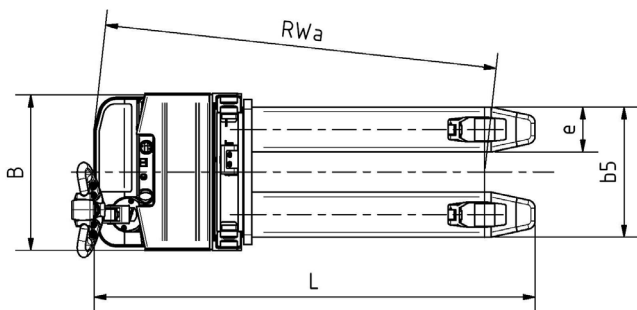
Description			LEDD	LEDD
			12,5/18 IS	12,5/20 IS
Load capacity	Q	kg	1250/1800	1250/2000
Load centre	c	mm	600	600
Closed height when lowered	$h_{13}$	mm	90	90
Lift height	$h_3$	mm	210	210
Handle height of tiller when vertical	$h_{14}$	mm	1260	1260
Overall length	L	mm	1860	1860
Overall width	B	mm	660	660
Leading structure length	$L_2$	mm	660	660
Wheel base	y	mm	1510	1510
Load wheel position	RTA	mm	980	980
Fork length	l	mm	1200	1200
Fork width	e	mm	190	190
Dimension across forks	$b_5$	mm	550	550
Turning Radius	RWa	mm	1670	1670
Empty weight (without battery)	m	kg	570	570
Aisle width (800x1200 lengthwise)	$Ast_3$	mm	2060	2060
Battery: Capacity		Ah	160-250	160-250
Voltage		V	24	24
Tank LBH 610x200x510..610 mm	24V2EPzH	160..250Ah	•	•
Drive motor output	n/V/kW		1/24/1,0	1/24/1,4
Drive control	Impulse		AC / (DC •)	
Lifting motor output at 15% ED	n/V/kW		1/24/2,2	1/24/2,2

Product and specifications are subject to improvement and change without notice

• = on request

## Mast Specifications

Lifting height mm	Closed height mm	Capacity at height kg
1690	1245	1250
1790	1295	1250
1890	1345	1250
1990	1395	800
2090	1445	700



European Office: Doosan Industrial Vehicle Europe NV  
 Europark Noord 36 A, 9100 Sint-Niklaas, Belgium  
 Tel: +3237600987  
 Fax: +3237600989  
 Web site: <http://www.doosaneurope.com>



## Electric Double Pallet Stacker

LEDD 12,5/18 IS - LEDD 12,5/20 IS

1,800kg to 2,000kg Capacity

The all new Doosan LEDD Series offers you

**The best solution...  
for your material handling!**

### Design Features

- Powerful AC drive motor providing high speed for use in warehouses and on ramps
- Low energy consumption and easy maintenance
- Narrow aisle width
- Great manoeuvrability with small turning radius

### Operating Elements

- Multifunctional, ergonomical handles
- Turtle mode for precise operations in small areas

### Standard Equipment

- AC controlled drive contactorless electronics
- Tandem Vulkollan load wheels
- Large Vulkollan drive tyre

### Options

- Various fork dimensions (length and width)
- Cold store model (down to -30°C)
- Multifunctional display
- Stainless steel models for food industry

Made in  
Germany

