



Electric Pallet Truck

with fold-down driver platform

LEDH 20 MP

Load capacity 2,000kg

The best solution..... for your material handling

Design features

- Powerfull and economical per AC controlled drive contactorless electronics
- Strong drive motor for high drive speed with optimal traction
- Distinguished ramp aptitude
- Robust stabil 5-point chassis with small truck dimension
- Load-Lift without battery weight – high energy efficiency

Operating Elements

- Multifunctional ergonomical handles
- Controller for smooth ones drive forward and backwards
- Rocket buttons for hoisting and lowering

Standard Equipment

- Drive wheel Vulkollan
- Load wheels Vulkollan
- Battery change to the side
- Spring-coaded operator platform

Options

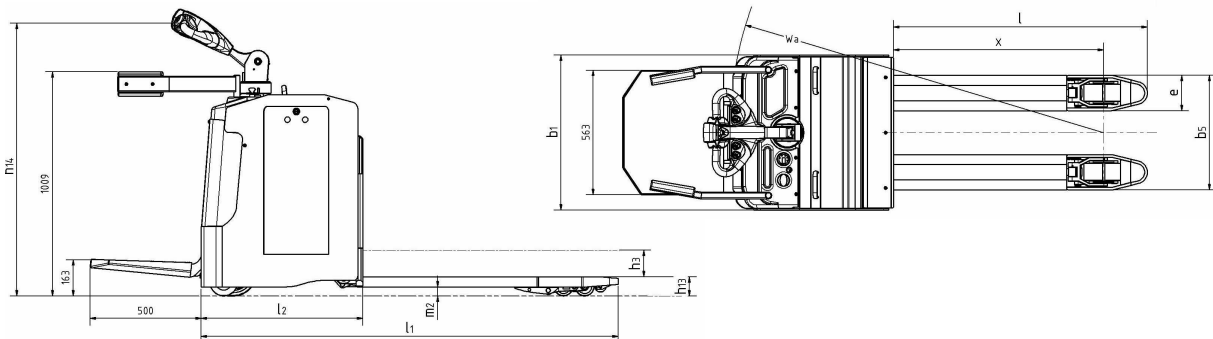
- Various fork length
- Electrical steering
- Fixed side or rear protection platform
- Battery 24v from 180 Ah to 350 Ah



Manufacturers specification and design features

	type designation			LEDH 20 MP
Distinguishing mark	Drive			Electric
	Operator type			Pedestrian
	Load capacity	Q	t	2,0
	Load centre distance	C	mm	600
	Load distance	X	mm	950
Weight	Service weight		kg	530
	Axle loading, laden front/rear		kg	1127 / 1703
	Axle loading, unladen front/rear		kg	656 / 174
Tyres, Chassis	Tyres			Vulkollan
	Drive Wheel		mm	ø230 x 80
	Load Wheel		mm	ø85 / 78
	Support Wheel		mm	ø125 x 50
	Tread, front		mm	358
	Tread, rear		mm	468
Dimensions	Lift	h3	mm	120
	Height of Tiller in drive position	h14	mm	1225
	Height, lowered	h13	mm	85
	Overall length	l1	mm	1875
	Length to face of forkes	l2	mm	729
	Overall width	b1	mm	700
	Fork dimensions	e / l	mm	160 / 1150
	Distance between fork-arms	b5	mm	520
	Groundclearance, centre of wheelbase	m2	mm	40
	Aisle width for pallets, 800x1200 mm, along	Ast	mm	2125
	Turning radius	Wa	mm	1675
Performance Dates	Travel speed, laden / unladen		km/h	8 / 9,5
	Travel speed, walking		km/h	5
	turn silent runing speed- Option		km/h	6
	Gradeability, laden / unladen		%	6 / 8
	Service brake			generatorisch
Electric-Engine	AC - Drive motor		kW	2,5
	DC - Lift motor		kW	1
	Battery acc. to DIN 43535 A / B / C / no			DIN B
	Battery voltage / nominal capacity	K5	V / Ah	24 / 375
	Battery weight		kg	300
	Impuls control for drive			impuls

technical modifications are subject to alteration without notice



Europien Office: Europaark Noord 36A; B-9100 Sint Niklaas
Phone: +32- 3760 1643
Fax: +32-3760 0989
Web Site: <http://www.doosaneurope.com>