



Electric Pallet Trucks

LEDH 18/LEDH20/LEDH 22

1,800kg to 2,200kg Capacity

The all new Doosan LEDH Series offers you

The best solution...
for your material handling!

Design Features

- Powerful AC drive motor providing high speed for use in warehouses and on ramps
- Low energy consumption and easy maintenance
- Narrow aisle width
- Great manoeuvrability with small turning radius

Operating Elements

- Multifunctional, ergonomical handles
- Turtle mode for precise operations in small areas

Standard Equipment

- AC controlled drive contactorless electronics
- Single Vulkollan load wheels
- Large Vulkollan drive tyre

Options

- Various fork dimensions (length and width)
- Cold store model (down to -30°C)
- Multifunctional display
- Stainless steel models for food industry

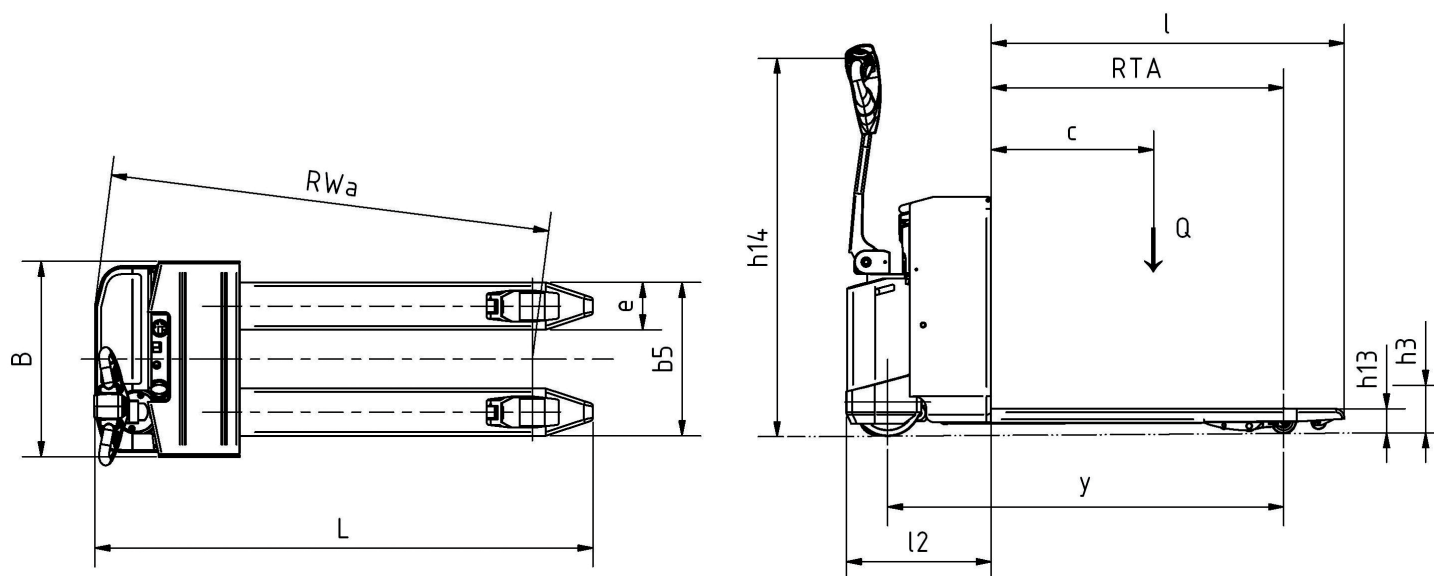


Technical Specifications

Description			LEDH18	LEDH20	LEDH22
Load capacity	Q	kg	1800	2000	2200
Load centre	c	mm	600	600	600
Closed height when lowered	h_{13}	mm	85	85	85
Lift height	h_3	mm	205	205	205
Handle height of tiller when vertical	h_{14}	mm	1260	1260	1260
Overall length	L	mm	1680	1680	1680
Overall width	B	mm	660	660	660
Leading structure length	L_2	mm	490	490	490
Wheel base	y	mm	1340	1340	1340
Load wheel position	RTA	mm	995	995	995
Fork length	l	mm	1190	1190	1190
Fork width	e	mm	160	160	160
Dimension across forks	b_5	mm	520	520	520
Turn Radius	RWa	mm	1490	1490	1490
Empty weight (without battery)		kg	300	300	300
Aisle width (800x1200 lengthwise)	Ast	mm	1890	1890	1890
Battery: Capacity		Ah	160-250	160-250	160-250
Voltage		V	24	24	24
Tank LBH 610x200x510..610mm	24V2EPzH	160..250Ah	•	•	•
Drive motor output	n/V/kW		1/24/1,0	1/24/1,0	1/24/1,4
Drive control	Impulse		AC / (DC•)	AC / (DC•)	AC
Lift motor output at 15 % ED	n/V/kW		1/24/2,2	1/24/2,2	1/24/2,2

Product and specifications are subject to improvement and change without notice

• = on request



DIEU0811LEDH (Nov.2008)



European Office: Europark Noord 36, 9100 Sint-Niklaas, Belgium
 Tel: +3237600987
 Fax: +3237600989
 Web site: <http://www.doosaneurope.com>