



Electric Pallet Stacker

LEDS 12,5 C

1,250kg Capacity

The all new Doosan LEDS Series offers you

**The best solution...
for your material handling!**

Design Features

- Powerful AC drive motor for use in warehouses and on ramps
- Low energy consumption and easy maintenance
- Narrow aisle width
- Great manoeuvrability with small turning radius

Operating Elements

- Multifunctional, ergonomical handle
- Turtle mode for precise operation in small areas
- Switch for proportional lifting (LEDS 16)

Standard Equipment

- AC controlled drive contactorless electronics
- Single Vulkollan load wheels
- Large Vulkollan drive tyre

Options

- Various fork dimensions (length and width)
- Cold store model (down to -30°C)
- Multifunctional display
- Tandem Vulkollan load wheels

Made in Germany



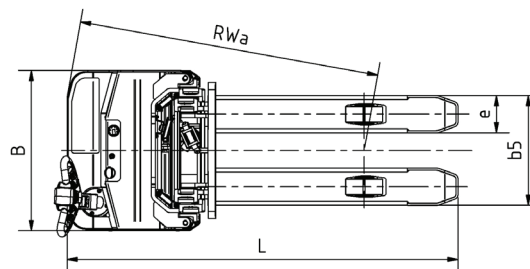
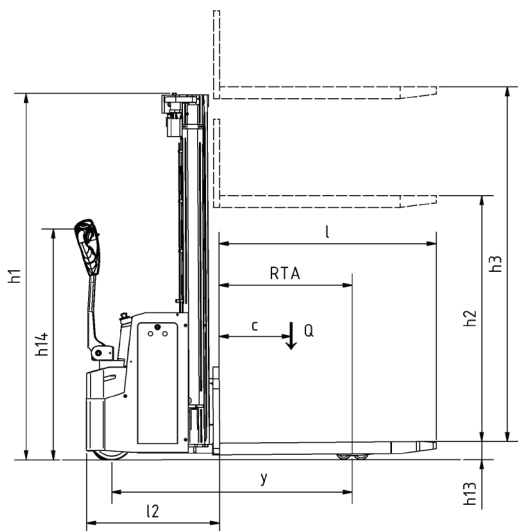
Technical Specifications

Description				LEDS12,5S
Distinguishing mark	Drive			Electric
	Operator type			Pedestrian
	Load capacity	Q	t	1.25
	Load centre distance	C	mm	600
	Load distance	X	mm	930
Weight	Service weight, incl. Battery		kg	890
	Axle loading, load front/rear		kg	954/1139
	Axle loading, unload front/rear		kg	660/230
Tyres, Chassis	Tyres			Vulkollan
	Drive Wheel		mm	ø230 x 80
	Load Wheel		mm	ø85 / 78
	Support Wheel		mm	ø125 x 50
	Tread, front		mm	385
	Tread, rear		mm	360
Dimensions	Lift	h3	mm	confer table
	Height of Tiller in drive position	h14	mm	1260
	Height, lowered	h13	mm	90
	Overall length	l1	mm	1860
	Length to face of forks	l2	mm	660
	Overall width	b1	mm	660
	Fork dimensions	e / l	mm	190/1195
	Distance between fork-arms	b5	mm	550
	Groundclearance, centre of wheelbase	m2	mm	32
	Aisle width for pallets, 800x1200 mm, along	Ast	mm	2280
	Turning radius	Wa	mm	1610
Performance data	Travel speed, load / unload		km/h	5.5
	Gradeability, load/ unload		%	7/12
Electric-engine	AC - Drive motor		kW	1
	DC - Lift motor		kW	1.4
	Battery acc. to DIN 43535 A / B / C / no			special
	Battery voltage / nominal capacity	K5	V / Ah	24 / 250
	Battery weight		kg	250
	Impuls control for drive			AC-impuls

Product and specifications are subject to improvement and change without notice

Mast Specifications LEDES 12,5 S

Lifting height mm - h3	Closed height mm - h1	Capacity at height (kg)
1790	1295	1250
2090	1445	1250
2490	1645	950
2890	1845	700



European Office: Doosan Industrial Vehicle Europe NV
 Europark Noord 36 A, 9100 Sint-Niklaas, Belgium
 Tel: +3237600987
 Fax: +3237600989
 Web site: <http://www.doosaneurope.com>